

# XC Series Light Duty Electric Pneumatic Tire Forklift With Lithium-ion Technology

with capacity of 4,000 to 7,000lbs

LI-ION  
TECHNOLOGY

INNOVATIVE LITHIUM-ION



*The World of Hangcha*  
SINCE 1956

  
**HANGCHA**

# INNOVATIVE SOLUTIONS NEW POWER NOW

The XC series new energy electric forklifts, covering range from 4,000 to 7,000lbs, is a series of products with new chassis launched by HANGCHA.

Innovative, reliable lithium-ion technology, which are developed jointly by HANGCHA and CATL. Battery cells and modules are from CATL, with reliable quality, exclusively for HANGCHA.

Rapid charging and opportunity charging ensure continuous availability of trucks.

Lightweight design, flexible, high level of energy efficiency, maintenance-free, long service life.

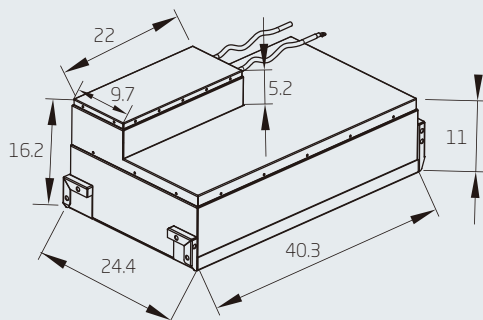


## High capacity CATL battery packs

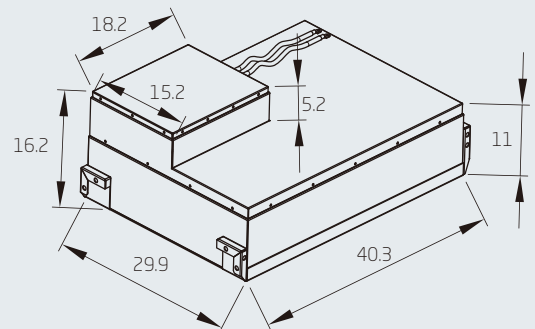
Integrated Battery Management System (BMS) continually monitors energy management and ensures reliable operation. HANGCHA provides Li-Ion battery with 5 years or 10000 hours warranty.

		Battery capacity (kW-h)
Pack1	4000 - 5000lbs: standard	80V*202Ah, 16.16Kwh
Pack2	6000 - 7000lbs: standard	80V*271Ah, 21.68Kwh

### 4000-5000lbs



### 6000-7000lbs



# Excellent Ergonomic Design

- / The truck has a large operating space more than **50%** larger than the traditional electric truck.
- / The dashboard in the driver's cab is placed overhead and can be seen when the driver lifts her/his head, and the function buttons can be pressed easily.
- / For the optional integrated fingertip control system, the combined operating armrest integrates the emergency cut-off, horn and quadruple thumb switches, etc., is electrically controlled through the CAN bus and is highly reliable.
- / The enlarged brake pedal and appropriate regenerative braking function can effectively reduce the driver's fatigue.



## Advantages



The high-frequency MOSFET integrated controller ensures smooth and accurate driving and lifting control, and has excellent speed regulation performance, good performance of electronic control matching the motor, functions of regenerative braking, reverse braking and anti-sliding on ramps, etc., and high safety and reliability.

*The rear axle is provided with a flexible suspension system (for standard configuration and automatic deceleration at turns improve the driver's comfort.*

The high power AC traction motor has a bridge structure.

An high power AC pump motor is used. The system has high efficiency, complete protection functions, built-in speed and temperature sensors, and greatly improved reliability and life.

# RELIABLE TRUCKS



HANGCHA provides Li-Ion battery (LiFePO4) with 5 years or 10000 hours warranty.



# Easy operations and maintenance

Internal Components Protected with Fully-sealed Hood, controllers, motors electrical components, etc. are sealed from dust and water.



IPX4 water resistance rating, suitable for outdoor operation



The hood can be opened at a large angle facilitating the maintenance.





## Safety

The optional OPS system can disable the lowering when the driver leaves the seat and enable high safety.

The standard configuration provides soft landing system. In addition, an optional lift buffering system is provided to protect the goods from falling and damaging the ground.

The handbrake can be optionally equipped with an alarm buzzer to prompt the driver to pull up the handbrake before leaving the truck.



Three horn buttons are provided, which are respectively on the driver's steering wheel, finger tip (optional) and rear handle with horn (optional), for alerting and protecting the surrounding people.



A PIN code should be provided before entering the system. 99 sets of PIN codes are available for the administrator. The truck is highly secured and irrelevant personnel cannot start the truck.

## Main Accessories

The main electrical components such as the controller, contactor, power plug, emergency cut-off switch, dashboard, accelerator, are all products of well-known world brands.

The emergency cut-off switch equipped for the standard configuration complies with EU regulations.

The truck has passed the CE certification.



IP67 Protection Rating



Quick charge < 2.0h

# Comfort

Owing to the low center of gravity and good stability, the driver feels comfortable during turning.

The ergonomically designed adjustable steering wheel makes the driver feel good. The seat can be adjusted back and forth by 8.3". The operator can choose the best driving position.

New designed mast increases the wide view by 15% .

With friendly human-computer interfaces, the 4.33" True Color Screen instruments have good visibility and clear readings.

Silence, no pollution, energy saving and other advantages meet the environmental protection requirements.



Grammer fingertip (Optional)



## Options

- / Battery side roll out with slide or roller
- / Pin code or card
- / Solid Pneumatic tire
- / Non mark tire
- / Left and right rear view mirrors
- / Backup camera
- / Front/rear blue lights
- / Rear working lights
- / Charger (Titan)
- / Rear handle with horn
- / Hood with a key lock
- / OPS system
- / Lift buffering system
- / Multi way valves
- / Integrated fingertip control system
- / Widened / heightened load backrest
- / Widened fork carriage
- / Other length forks
- / Full free duplex mast
- / Full free triplex mast
- / Sideshifter
- / Other attachments
- / Grammer MSG531 suspension seat
- / Automatic deceleration at turns

## Standard specification

- / Lithium packs with low temperature electric heating systems
- / High-power AC drive motor
- / High-power AC pump motor
- / Low noise gear pump
- / Multi-function color screen instrument cluster
- / Large integral rubber pedal pad
- / LED combination headlights, LED rear combination taillights
- / Stamped iron hood
- / Soft landing system
- / SPE power selection
- / Charging muzzle meeting national standards
- / Electronic cooling fan
- / Emergency cut-off switch
- / Reversing buzzer
- / Traction pin
- / Folder
- / Load sensing steering system
- / Duplex mast
- / Tilt cylinder jacket



35

LI-ION  
HANGCHA



# 4000~5000lbs XC series mast specification light duty

Type	Model	Lifting height	Lowered overall height	Overall height		Free lifting height		Tilting range		Capacity (Mast vertical to ground)			
				Without backrest	With backrest	Without backrest	With backrest	FWD	BWD	Load center@24in			
										Single Tire		Double Tire	
		in	in	in	in	in	in	(°)	(°)	4000lbs	5000lbs	4000lbs	5000lbs
Duplex wide view mast	XPD25M200	78.7(2000)	59.1(1501)	103.4(2626)	119.9(3046)	5.5(140)	5.5(140)	6	6	4000(1814)	5000(2268)	4000(1814)	5000(2268)
	XPD25M250	98.4(2500)	68.9(1751)	123.1(3126)	139.6(3546)	5.5(140)	5.5(140)	6	12	4000(1814)	5000(2268)	4000(1814)	5000(2268)
	XPD25M270	106.3(2700)	72.9(1851)	130.9(3326)	147.5(3746)	5.5(140)	5.5(140)	6	12	4000(1814)	5000(2268)	4000(1814)	5000(2268)
	XPD25M300	118.1(3000)	78.8(2001)	142.8(3626)	159.3(4046)	5.5(140)	5.5(140)	6	12	4000(1814)	5000(2268)	4000(1814)	5000(2268)
	XPD25M330	129.9(3300)	84.7(2151)	154.6(3926)	171.1(4346)	5.5(140)	5.5(140)	6	12	4000(1814)	5000(2268)	4000(1814)	5000(2268)
	XPD25M350	137.8(3500)	88.6(2251)	162.4(4126)	179(4546)	5.5(140)	5.5(140)	6	12	4000(1814)	5000(2268)	4000(1814)	5000(2268)
	XPD25M360	141.7(3600)	92.6(2351)	166.4(4226)	182.9(4646)	5.5(140)	5.5(140)	6	12	4000(1814)	5000(2268)	4000(1814)	5000(2268)
	XPD25M370	145.7(3700)	94.5(2401)	170.3(4326)	186.9(4746)	5.5(140)	5.5(140)	6	12	4000(1814)	5000(2268)	4000(1814)	5000(2268)
	XPD25M400	157.5(4000)	102.4(2601)	182.1(4626)	198.7(5046)	5.5(140)	5.5(140)	6	12	4000(1814)	4900(2223)	4000(1814)	5000(2268)
	XPD25M430	169.3(4300)	108.3(2751)	193.9(4926)	210.5(5346)	5.5(140)	5.5(140)	6	6	3900(1769)	4600(2087)	4000(1814)	4900(2223)
	XPD25M450	177.2(4500)	112.2(2851)	201.8(5126)	218.3(5546)	5.5(140)	5.5(140)	6	6	3800(1724)	4300(1950)	3900(1769)	4600(2087)
	XPD25M470	185(4700)	116.2(2951)	209.7(5326)	226.2(5746)	5.5(140)	5.5(140)	6	6	3700(1678)	4000(1814)	3800(1724)	4300(1950)
	XPD25M480	189(4800)	118.1(3001)	213.6(5426)	230.2(5846)	5.5(140)	5.5(140)	6	6	3700(1678)	4000(1814)	3800(1724)	4300(1950)
	XPD25M500	196.9(5000)	122.1(3101)	221.5(5626)	238(6046)	5.5(140)	5.5(140)	6	6	3600(1633)	3700(1678)	3700(1678)	4000(1814)
	XPD25M550	216.5(5500)	131.9(3351)	241.2(6126)	257.7(6546)	5.5(140)	5.5(140)	3	6	2600(1179)	2800(1270)	3200(1452)	3800(1724)
	XPD25M600	236.2(6000)	141.8(3601)	260.9(6626)	277.4(7046)	5.5(140)	5.5(140)	3	6	1800(816)	2000(907)	2800(1270)	3500(1588)
Duplex full-free mast	XPD25U200	78.7(2000)	59.7(1516)	108.2(2749)	119.9(3046)	33.1(842)	18.5(470)	6	6	4000(1814)	5000(2268)	4000(1814)	5000(2268)
	XPD25U250	98.4(2500)	69.5(1766)	124.9(3173.5)	139.6(3546)	43(1092)	28.3(720)	6	12	4000(1814)	5000(2268)	4000(1814)	5000(2268)
	XPD25U270	106.3(2700)	73.5(1866)	132.8(3373.5)	147.5(3746)	46.9(1192)	32.3(828)	6	12	4000(1814)	5000(2268)	4000(1814)	5000(2268)
	XPD25U300	118.1(3000)	79.4(2016)	144.6(3673.5)	159.3(4046)	52.8(1342)	38.2(970)	6	12	4000(1814)	5000(2268)	4000(1814)	5000(2268)
	XPD25U330	129.9(3300)	85.3(2166)	156.4(3973.5)	171.1(4346)	58.7(1492)	44.1(1120)	6	12	4000(1814)	5000(2268)	4000(1814)	5000(2268)
	XPD25U350	137.8(3500)	89.2(2266)	164.3(4173.5)	179(4546)	62.7(1592)	48(1220)	6	12	4000(1814)	5000(2268)	4000(1814)	5000(2268)
	XPD25U360	141.7(3600)	91.2(2316)	168.2(4273.5)	182.9(4646)	64.6(1642)	50(1270)	6	12	4000(1814)	5000(2268)	4000(1814)	5000(2268)
	XPD25U370	145.7(3700)	93.1(2366)	172.2(4373.5)	186.9(4746)	66.6(1692)	52(1320)	6	12	4000(1814)	5000(2268)	4000(1814)	5000(2268)
Triplex full-free mast	XPD25N400	157.5(4000)	77.4(1966)	183.9(4670.5)	198.7(5046)	47(1195)	36.2(920)	6	6	3800(1724)	4700(2132)	3900(1769)	4900(2223)
	XPD25N430	169.3(4300)	81.3(2066)	195.7(4970.5)	215.5(5346)	51(1295)	40.2(1020)	6	6	3700(1678)	4400(1996)	3800(1724)	4700(2132)
	XPD25N450	177.2(4500)	83.3(2116)	203.6(5170.5)	218.3(5546)	53(1345)	42.1(1070)	6	6	3600(1633)	4100(1860)	3700(1678)	4400(1996)
	XPD25N470	185(4700)	87.2(2216)	211.4(5370.5)	226.2(5746)	56.9(1445)	46.3(1170)	6	6	3500(1588)	3800(1724)	3600(1633)	4100(1860)
	XPD25N480	189(4800)	89.2(2266)	215.4(5470.5)	230.2(5846)	58.9(1495)	48(1220)	6	6	3500(1588)	3800(1724)	3600(1633)	4100(1860)
	XPD25N500	196.9(5000)	93.1(2366)	223.2(5670.5)	238(6046)	62.8(1595)	52(1320)	6	6	3400(1542)	3500(1588)	3600(1633)	4100(1860)
	XPD25N550	216.5(5500)	101(2566)	242.9(6170.5)	257.7(6546)	70.7(1795)	59.8(1520)	3	6	2600(1179)	2800(1270)	3200(1452)	3800(1724)
	XPD25N600	236.2(6000)	110.9(2816)	262.6(6670.5)	277.4(7046)	80.5(2045)	69.7(1770)	3	6	1800(816)	2000(907)	2800(1270)	3500(1588)
	XPD25N650	255.9(6500)	118.7(3016)	282.3(7170.5)	297.1(7546)	88.4(2245)	77.6(1970)	3	6	/	/	2400(1089)	2900(1315)
	XPD25N700	275.6(7000)	128.6(3266)	305.7(7766)	316.8(8046)	106.1(2695)	87.4(2220)	3	6	/	/	2000(907)	2300(1043)

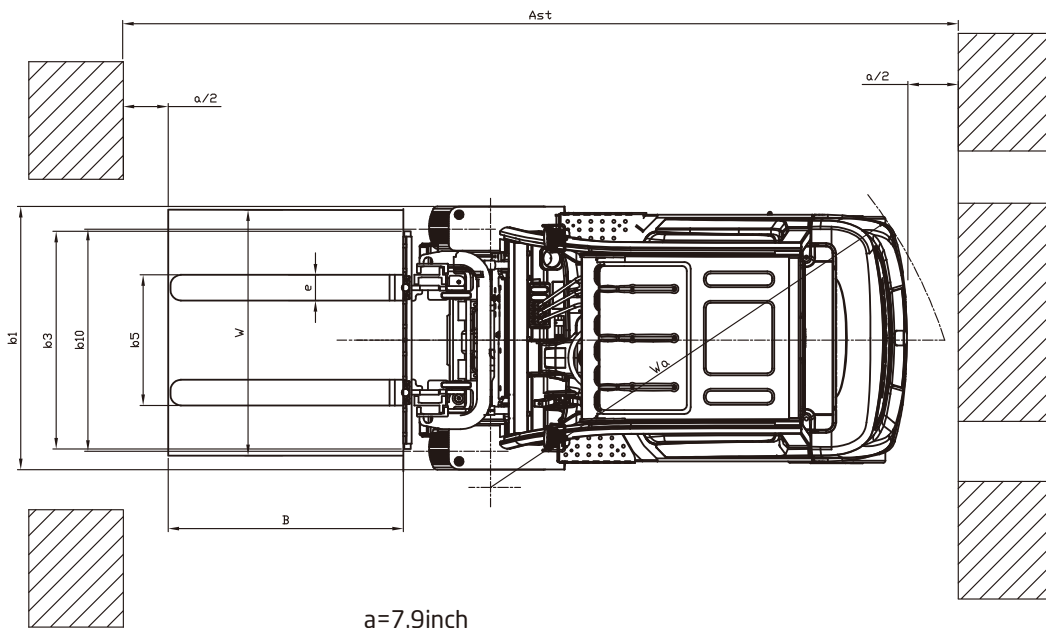
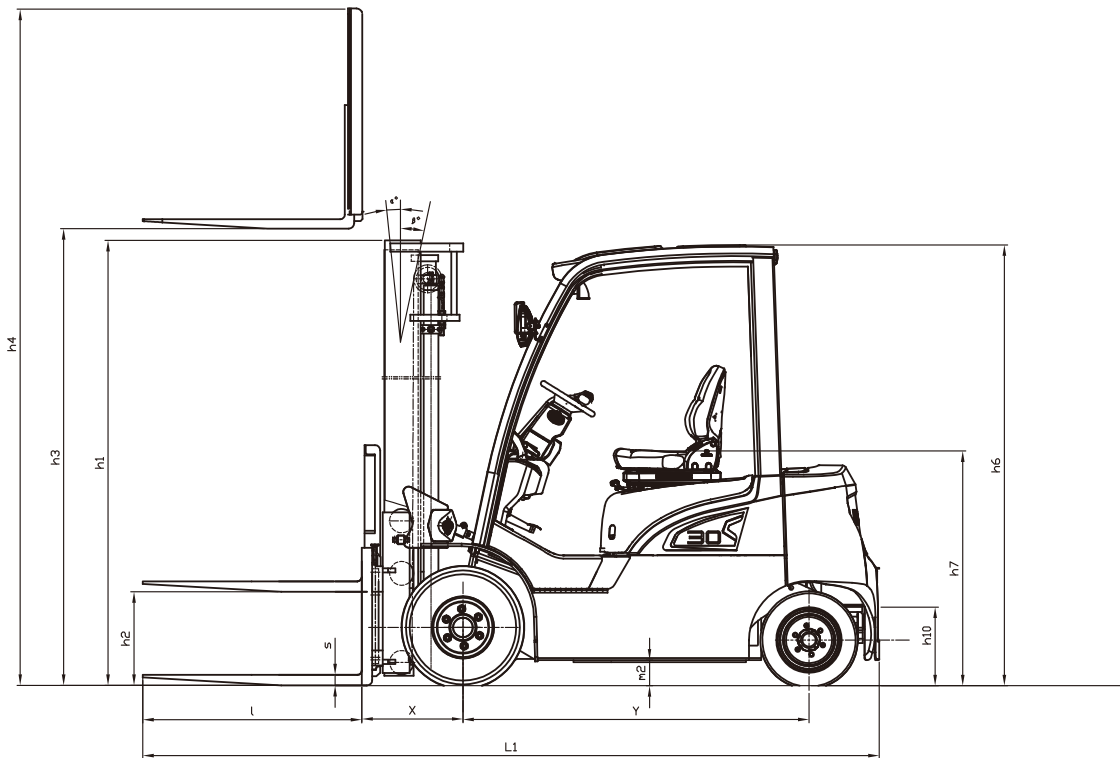
With sideshifter minus 330lb(150kg),with integral sideshifter minus 220lb(100kg).

# 6000~7000lbs XC series mast specification light duty

Type	Model	Lifting height	Lowered overall height	Overall height		Free lifting height		Tilting range		Capacity (Mast vertical to ground)			
				Without backrest	With backrest	Without backrest	With backrest	FWD	BWD	Load center@24in			
										Single Tire		Double Tire	
		in	in	in	in	in	in	(°)	(°)	6000lbs	7000lbs	6000lbs	7000lbs
Duplex wide view mast	XPD35M200	78.7(2000)	65(1651)	111.9(2842)	123.8(3145)	5.7(145)	5.9(150)	6	6	6000(2722)	7000(3175)	6000(2722)	7000(3175)
	XPD35M250	98.4(2500)	74.8(1901)	131.6(3342)	143.5(3645)	5.7(145)	5.9(150)	6	12	6000(2722)	7000(3175)	6000(2722)	7000(3175)
	XPD35M270	106.3(2700)	78.8(2001)	139.4(3542)	151.4(3845)	5.7(145)	5.9(150)	6	12	6000(2722)	7000(3175)	6000(2722)	7000(3175)
	XPD35M300	118.1(3000)	84.7(2151)	151.3(3842)	163.2(4145)	5.7(145)	5.9(150)	6	12	6000(2722)	7000(3175)	6000(2722)	7000(3175)
	XPD35M330	129.9(3300)	90.6(2301)	163.1(4142)	175(4445)	5.7(145)	5.9(150)	6	12	6000(2722)	7000(3175)	6000(2722)	7000(3175)
	XPD35M350	137.8(3500)	94.5(2401)	170.9(4342)	182.8(4645)	5.7(145)	5.9(150)	6	12	6000(2722)	7000(3175)	6000(2722)	7000(3175)
	XPD35M360	141.7(3600)	96.5(2451)	174.9(4442)	186.8(4745)	5.7(145)	5.9(150)	6	12	6000(2722)	7000(3175)	6000(2722)	7000(3175)
	XPD35M370	145.7(3700)	98.5(2501)	178.8(4542)	190.7(4845)	5.7(145)	5.9(150)	6	12	6000(2722)	7000(3175)	6000(2722)	7000(3175)
	XPD35M400	157.5(4000)	108.3(2751)	190.6(4842)	202.6(5145)	5.7(145)	5.9(150)	6	12	6000(2722)	6900(3130)	6000(2722)	6900(3130)
	XPD35M430	169.3(4300)	114.2(2901)	202.4(5142)	214.4(5445)	5.7(145)	5.9(150)	6	6	5700(2585)	6600(2994)	6000(2722)	6600(2994)
	XPD35M450	177.2(4500)	118.1(3001)	210.3(5342)	222.2(5645)	5.7(145)	5.9(150)	6	6	5400(2449)	6300(2858)	5700(2585)	6300(2858)
	XPD35M470	185(4700)	123.2(3101)	218.2(5542)	230.1(5845)	5.7(145)	5.9(150)	6	6	5100(2313)	6000(2722)	5400(2449)	6000(2722)
	XPD35M480	189(4800)	124.1(3151)	222.1(5642)	234.1(5945)	5.7(145)	5.9(150)	6	6	5100(2313)	6000(2722)	5400(2449)	6000(2722)
	XPD35M500	196.9(5000)	128(3251)	230(5842)	241.9(6145)	5.7(145)	5.9(150)	6	6	4800(2177)	5700(2585)	5100(2313)	5700(2585)
	XPD35M550	216.5(5500)	137.8(3501)	249.7(6342)	261.6(6645)	5.7(145)	5.9(150)	3	6	3700(1678)	4400(1996)	4800(2177)	5300(2404)
	XPD35M600	236.2(6000)	147.7(3751)	269.4(6842)	281.3(7145)	5.7(145)	5.9(150)	3	6	2800(1270)	3300(1497)	4400(1996)	4800(2177)
Duplex full-free mast	XPD35U200	78.7(2000)	65.6(1666)	113.8(2891)	123.8(3145)	30.5(775)	20.5(521)	6	6	6000(2722)	7000(3175)	6000(2722)	7000(3175)
	XPD35U250	98.4(2500)	75.4(1916)	133.5(3391)	143.5(3645)	40.4(1025)	30.4(771)	6	12	6000(2722)	7000(3175)	6000(2722)	7000(3175)
	XPD35U270	106.3(2700)	79.4(2016)	141.4(3591)	151.4(3845)	44.3(1125)	34.3(871)	6	12	6000(2722)	7000(3175)	6000(2722)	7000(3175)
	XPD35U300	118.1(3000)	85.3(2166)	153.2(3891)	163.2(4145)	50.2(1275)	40.2(1021)	6	12	6000(2722)	7000(3175)	6000(2722)	7000(3175)
	XPD35U330	129.9(3300)	91.2(2316)	165(4191)	175(4445)	56.1(1425)	46.1(1171)	6	12	6000(2722)	7000(3175)	6000(2722)	7000(3175)
	XPD35U350	137.8(3500)	95.1(2416)	172.8(4391)	182.9(4645)	60.0(1525)	50.0(1271)	6	12	6000(2722)	7000(3175)	6000(2722)	7000(3175)
	XPD35U360	141.7(3600)	97.1(2466)	176.8(4491)	186.8(4745)	62(1575)	52(1321)	6	12	6000(2722)	7000(3175)	6000(2722)	7000(3175)
	XPD35U370	145.7(3700)	99.1(2516)	180.7(4591)	190.7(4845)	64.0(1625)	54.0(1371)	6	12	6000(2722)	7000(3175)	6000(2722)	7000(3175)
Triplex full-free mast	XPD35N400	157.5(4000)	80.7(2051)	192.6(4891)	202.6(5145)	45.7(1160)	35.7(906)	6	6	5800(2631)	6700(3039)	6000(2722)	6700(3039)
	XPD35N430	169.3(4300)	84.7(2151)	204.4(5191)	214.4(5445)	49.6(1260)	39.6(1006)	6	6	5500(2495)	6400(2903)	5800(2631)	6400(2903)
	XPD35N450	177.2(4500)	86.7(2201)	216.2(5491)	222.2(5645)	51.6(1310)	41.6(1056)	6	6	5200(2359)	6100(2767)	5500(2495)	6100(2767)
	XPD35N470	185(4700)	90.6(2301)	220.1(5591)	230.1(5845)	55.5(1410)							

# XC Series Electric Pneumatic Tire Forklift Light Duty

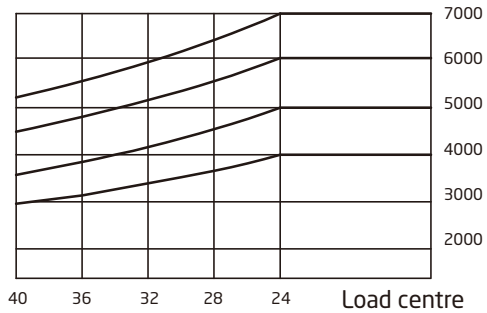
					HANGCHA GROUP CO.,LTD.			
					FBE20Li	FBE25Li	FBE30Li	FBE35Li
Distinguishing mark	1.1	Manufacturer						
		HCFA Model			CPD20-XD4-SI21	CPD25-XD4-SI21	CPD30-XD4-SI21	CPD35-XD4-SI21
	1.2	Manufacturers type designation						
	1.3	Drive: electric (battery or mains), diesel, petrol, fuel gas			Electric	Electric	Electric	Electric
	1.4	Operator type: hand, pedestrian, standing, seated, order-picker			Seated	Seated	Seated	Seated
	1.5	Load capacity/rated load	Q	lb (kg)	4000(1810)	5000(2270)	6000(2720)	7000(3170)
	1.6	Load centre distance	c	in (mm)	24(600)	24(600)	24(600)	24(600)
	1.7	Load distance, centre of drive axle to fork	x	in (mm)	17.5(444)	17.5(444)	19(482)	19(482)
1.8	Wheelbase	y	in (mm)	59.8(1520)	59.8(1520)	65(1650)	65(1650)	
Weight	2.1	Service Weight		lb (kg)	7980(3620)	8640(3920)	10450(4740)	11200(5080)
	2.2	Axle loading, laden front/rear		lb (kg)	11110/1500 (5040/680)	12830/1543(5820/700)	14870/2414(6745/1095)	17190/1490(7800/880)
	2.3	Axle loading, unladen front/rear		lb (kg)	3571/4410 (1620/2000)	3681/4960(1670/2250)	4431/6018(2010/2730)	4630/6570(2100/2980)
Tyres, chassis	3.1	Tyres: solid rubber, super elastic, pneumatic, polyurethane			Air Pneumatic	Air Pneumatic	Air Pneumatic	Solid Pneumatic
	3.2	Tyre size, front			23×9-10	23×9-10	23×9-10	23×10-12
	3.3	Tyre size, rear			18×7-8	18×7-8	18×7-8	200/50-10
	3.4	Wheels, number front rear (x = driven wheels)			2x/2	2x/2	2x/2	2x/2
	3.5	Tread, front	b10	in (mm)	42(1068)	42(1068)	42(1068)	42(1068)
	3.6	Tread, rear	b11	in (mm)	37.8(960)	37.8(960)	37.8(960)	37.8(960)
Dimensions	4.1	Tilt of mast/fork carriage forward/backward	α/β	(°)	6/12	6/12	6/12	6/12
	4.2	Height, mast lowered	h1	in (mm)	78.7(2001)	78.7(2001)	84.6(2151)	84.6(2151)
	4.3	Free lift	h2	in (mm)	5.5(140)	5.5(140)	5.7(145)	5.7(145)
	4.4	Lift	h3	in (mm)	118.1(3000)	118.1(3000)	118.1(3000)	118.1(3000)
	4.5	Height, mast extended	h4	in (mm)	159(4040)	159(4040)	162.8(4135)	162.8(4135)
	4.7	Height of overhead guard STD.	h6	in (mm)	82.6(2100)	82.6(2100)	82.6(2100)	82.6(2100)
	4.8	Seat height/stand height	h7	in (mm)	44(1120)	44(1120)	44(1120)	44(1120)
	4.9	Coupling height	h10	in (mm)	16.9(430)	16.9(430)	16.9(430)	16.9(430)
	4.10	Overall length	l1	in (mm)	132.6(3370)	132.6(3370)	132.6(3370)	132.6(3370)
	4.11	Length to face of forks	l2	in (mm)	90.5(2300)	90.5(2300)	97.6(2480)	97.6(2480)
	4.12	Overall width	b1	in (mm)	49.3(1252)	49.3(1252)	49.3(1252)	51.1(1298)
	4.13	Fork dimensions	s/e/l	in (mm)	1.6×4.8×42(40/122/1070)	1.6×4.8×42(40/122/1070)	1.8×4.8×42(45/122/1070)	1.8×4.8×42(45/122/1070)
	4.14	Fork carriage DIN 15 173 --- ISO 2328, class/type A,B			ISO2328 2A	ISO2328 2A	ISO2328 3A	ISO2328 3A
	4.15	Fork-carriage width	b3	in (mm)	43.3(1100)	43.3(1100)	43.3(1100)	43.3(1100)
	4.16	Distance between fork-arms	b5	in (mm)	290/1100(11.4/43.3)	290/1100(11.4/43.3)	290/1100(11.4/43.3)	290/1100(11.4/43.3)
	4.17	Ground clearance, laden, below mast	m1	in (mm)	3.9(100)	3.9(100)	3.9(100)	3.9(100)
	4.18	Ground clearance, centre of wheelbase	m2	in (mm)	4.9(125)	4.9(125)	4.9(125)	4.9(125)
	4.19	Aisle width for pallets 39.4" x 47.2" crossways	Ast	in (mm)	147(3734)	147(3734)	155.7(3955)	155.7(3955)
	4.20	Aisle width for pallets 31.5" x 47.2" Lengthways	Ast	in (mm)	154.8(3934)	154.8(3934)	163.5(4155)	163.5(4155)
	4.21	Turning radius	Wa	in (mm)	82.2(2090)	82.2(2090)	89.3(2270)	89.3(2270)
	4.22	Internal turning radius	b13	in (mm)	25.7(655)	25.7(655)	28.7(730)	28.7(730)
	Performance Data	5.1	Travel speed, laden/unladen		mph (km/h)	8.7/9.3(14/15)	8.7/9.3(14/15)	8.7/9.3(14/15)
5.2		Lift speed, laden/unladen		fpm (m/s)	68.9/88.5(0.350/0.450)	68.9/88.5(0.350/0.450)	65.0/84.6(0.330/0.430)	65.0/84.6(0.330/0.430)
5.3		Lowering speed, laden/unladen		fpm (m/s)	88.5/82.6(0.450/0.420)	92.5/82.6(0.470/0.420)	88.5/82.6(0.450/0.420)	92.5/82.6(0.470/0.420)
5.4		Drawbar pull, laden/unladen		lbf (N)	2925/3150(13000/14000)	3825/4050(17000/18000)	4500/4725(20000/21000)	4612/4725(20500/21000)
5.5		Max. Drawbar pull, laden/unladen		lbf (N)	3375(15000)	4275(19000)	4500(20000)	4500(20000)
5.6		Gradeability, laden/unladen		%	14/15	14/15	14/15	14/15
5.7		Service brake			Hydraulic	Hydraulic	Hydraulic	Hydraulic
5.8		Parking brake			Mechanical	Mechanical	Mechanical	Mechanical
Electric engine	6.1	Drive motor rating S2 60 min		HP (kW)	14.9(11)AC	14.9(11)AC	14.9(11)AC	14.9(11)AC
	6.2	Lift motor rating at S3 15%		HP (kW)	28.5(21)AC	28.5(21)AC	28.5(21)AC	28.5(21)AC
	6.3	Battery voltage, Std.		V/Ah	80/202	80/202	80/271	80/271
	6.4	Standard Weight of lithium iron phosphate battery		lb (kg)	441(200)	441(200)	529(240)	529(240)
	6.5	Min. battery weight		lb (kg)	441(200)	441(200)	529(240)	529(240)
		Max. battery weight		lb (kg)	617(280)	617(280)	838(380)	838(380)
	6.6	Type of drive control			MOSFET/AC	MOSFET/AC	MOSFET/AC	MOSFET/AC
	6.7	Manufacturer			INMOTION	INMOTION	INMOTION	INMOTION
6.8	Control Model			ACS80M-35P+ACS80M-23P	ACS80M-35P+ACS80M-23P	ACS80L-440C-35P+ACS80M-23P	ACS80L-440C-35P+ACS80M-23P	
Addition data	7.1	Operating pressure for attachments		psi (bar)	2538(175)	2538(175)	2538(175)	2538(175)
	7.2	Oil volume for attachments		l/min	65	65	65	65
	7.3	Hydraulic Tank - capacity (drain & refill)		liter	28	28	28	28
	7.4	Sound level at the driver's ear according to EN / DIN 12 053		dB (A)	75	75	75	75
	7.5	Towing coupling, type DIN			Φ 25 Pin	Φ 25 Pin	Φ 25 Pin	Φ 25 Pin



$a = 7.9 \text{ inch}$   
 $Ast = a + Wa + X + B$

3M duplex mast

Load capacity





## HC FORKLIFT AMERICA CORPORATION

### Company address:

10405-A Granite Street Charlotte,  
NC 28273

Toll Free: 888-652-8395

Phone: 980-888-8335

Fax: 980-888-8336

america@hcforklift.com  
www.hcforkliftamerica.com



Follow us on  
Facebook



Follow us on  
YouTube



Follow us on  
WeChat

HANGCHA GROUP CO., LTD. reserves the right to make any changes without notice concerning colors, equipment, or specifications detailed in this brochure, or to discontinue individual models. The colors of trucks, delivered may differ slightly from those in brochures.