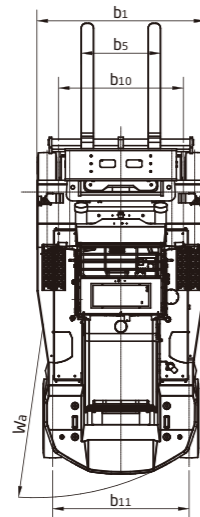
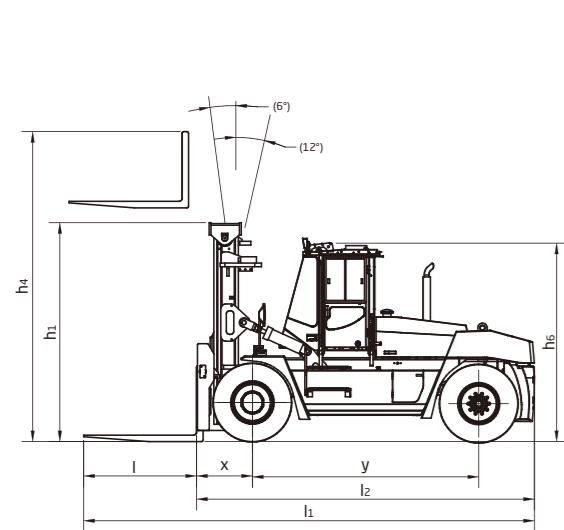
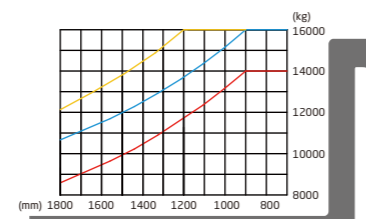


Heavy IC Forklift Truck

| | | HANGCHA GROUP CO., LTD. | | | | | | | | | |
|---------------------|---------------------------------------|---|---|--------------|-------------|--------------|--------------|--------------|-------------|--------------|--|
| Distinguishing mark | 1.1 | Manufacturer | HANGCHA GROUP CO., LTD. | | | | | | | | |
| | 1.2 | Manufacturer's type designation | CPCD140-w25 | CPCD140-H9G | CPCD160-w25 | CPCD160-H9G | CPCD160-Aw25 | CPCD180-w25 | CPCD180-H9G | | |
| | 1.3 | Drive: electric (battery or mains), diesel, petrol, fuel gas | Diesel | Diesel | Diesel | Diesel | Diesel | Diesel | Diesel | | |
| | 1.4 | Operator type: hand, pedestrian, standing, seated, order-picker | Seated | Seated | Seated | Seated | Seated | Seated | Seated | | |
| | 1.5 | Rated capacity/rated load | Q (kg) | 14000 | 14000 | 16000 | 16000 | 18000 | 18000 | | |
| | 1.6 | Load centre distance | c (mm) | 900 | 900 | 900 | 900 | 1200 | 900 | | |
| | 1.8 | Load distance, centre of drive axle to fork | x (mm) | 900 | 900 | 900 | 900 | 900 | 900 | | |
| | 1.9 | Wheelbase | y (mm) | 3650 | 3650 | 3650 | 3650 | 3750 | 3750 | | |
| | Weight | 2.1 | Service Weight | kg | 23100 | 23100 | 24600 | 24600 | 25400 | 25300 | |
| | | | | | | | | | | | |
| Wheels, Chassis | 3.1 | Tyres: solid rubber, superelastic, pneumatic, polyurethane | Pneumatic | Pneumatic | Pneumatic | Pneumatic | Pneumatic | Pneumatic | Pneumatic | | |
| | 3.2 | Tyre size, front | 12.00-24-20PR | | | | | | | | |
| | 3.3 | Tyre size, rear | 12.00-24-20PR | | | | | | | | |
| | 3.5 | Wheels, number front/rear (x = driven wheels) | 4x/2 | 4x/2 | 4x/2 | 4x/2 | 4x/2 | 4x/2 | 4x/2 | | |
| | 3.6 | Tread, front | b10 (mm) | 2013 | 2013 | 2013 | 2013 | 2013 | 2013 | | |
| Dimensions | 3.7 | Tread, rear | b11 (mm) | 2200 | 2200 | 2200 | 2200 | 2200 | 2200 | | |
| | 4.1 | Tilt of mast/fork carriage forward/backward | α/β(°) | 6/12 | 6/12 | 6/12 | 6/12 | 6/12 | 6/12 | | |
| | 4.2 | Height, mast lowered | h1 (mm) | 3500 | 3500 | 3500 | 3500 | 3500 | 3500 | | |
| | 4.4 | Lift | h3 (mm) | 3300 | 3300 | 3000 | 3000 | 3000 | 3000 | | |
| | 4.5 | Height, mast extended | h4 (mm) | 5150 | 5150 | 5000 | 5000 | 5000 | 5000 | | |
| | 4.7 | Height of overhead guard | h5 (mm) | 3240 | 3240 | 3240 | 3240 | 3240 | 3240 | | |
| | 4.19 | Overall length | l1 (mm) | 7268 | 7268 | 7268 | 7268 | 7368 | 7368 | | |
| | 4.20 | Length to face of forks | l2 (mm) | 5448 | 5448 | 5448 | 5448 | 5520 | 5548 | | |
| | 4.21 | Overall width | b1 (mm) | 2706 | 2706 | 2706 | 2706 | 2706 | 2706 | | |
| | 4.22 | Fork dimensions ISO 2331 | S/e/l (mm) | 1820x200x105 | | 1820x200x105 | | 2440x250x105 | | 1820x250x105 | |
| 4.25 | Distance between fork-arms | bs (mm) | 820/2400 | 820/2400 | 820/2400 | 820/2400 | 820/2400 | 820/2400 | | | |
| 4.31 | Ground clearance, laden, below mast | m1 (mm) | 250 | 250 | 250 | 250 | 250 | 250 | | | |
| 4.32 | Ground clearance, centre of wheelbase | m2 (mm) | 320 | 320 | 320 | 320 | 320 | 320 | | | |
| 4.35 | Turning radius | Wa (mm) | 4980 | 4980 | 4980 | 4980 | 5100 | 5100 | | | |
| Performance Data | 5.1 | Travel speed, laden/unladen | km/h | 22.5/26 | 22/25 | 22.5/26 | 22/25 | 22.5/26 | 21.5/25 | | |
| | 5.2 | Lift speed, laden/unladen | m/s | 0.31/0.34 | 0.30/0.33 | 0.31/0.34 | 0.30/0.33 | 0.31/0.34 | 0.29/0.32 | | |
| | 5.5 | Drawbar pull, laden/unladen | N | 125000/- | 125000/- | 125000/- | 125000/- | 125000/- | 125000/- | | |
| | 5.7 | Gradeability, laden/unladen | % | 30/- | 30/- | 20/- | 20/- | 20/- | 20/- | | |
| | 5.10 | Service brake | Wet Disc Brake System | | | | | | | | |
| Combustion-engine | 7.1 | Engine manufacturer/type | CUMMINS/Q586.7-C190 CUMMINS/B6.7 CUMMINS/Q586.7-C190 CUMMINS/B6.7 CUMMINS/Q586.7-C190 CUMMINS/B6.7 CUMMINS/Q586.7-C190 CUMMINS/B6.7 | | | | | | | | |
| | | Emission STD | Stage3/Tier3 Stage4/Tier4/GBIV Stage3/Tier3 Stage4/Tier4/GBIV Stage3/Tier3 Stage4/Tier4/GBIV Stage3/Tier3 Stage4/Tier4/GBIV | | | | | | | | |
| | 7.2 | Engine power according to DIN ISO 1585 | kw | 142 | 149 | 142 | 149 | 142 | 149 | | |
| | 7.3 | Rated speed | min | 2300 | 2200 | 2300 | 2200 | 2300 | 2200 | | |
| | 7.4 | Number of cylinders/displacement | (-)/l(cm ³) | 6/6700 | 6/6700 | 6/6700 | 6/6700 | 6/6700 | 6/6700 | | |
| | 7.10 | Battery voltage/nominal capacity | V/Ah | 2x12/120 | | | | | | | |
| | | Rated torque | N.m/r/min | 930/1500 | 990/1300 | 930/1500 | 990/1300 | 930/1500 | 990/1300 | | |
| | | Bore x stroke | mm | 107x124 | | | | | | | |
| | | Transmissions Manufacturer | GERMAN | | | | | | | | |
| | | Transmissions Type | Electric Control Powershift | | | | | | | | |
| Additional data | 10.1 | Operating pressure for attachments | bar | 210 | | | | | | | |



LOAD CHART



14.0-18.0t Forklift Mast Specification

| Type | Model | Max. fork height | Overall height | | Tilt range | | Capacity load capacity at 900mm Double tire |
|----------------|--------|------------------|----------------|---------------------------|------------|-----|---|
| | | | Lowered | Extended With backrest | FWD | RWD | |
| Wide view mast | G140MX | mm | mm | mm | (°) | (°) | kg |
| | | 3300 | 3500 | 5150 | 6 | 12 | 14000 |
| | | 3600 | 3650 | 5450 | 6 | 12 | 14000 |
| | | 4000 | 3850 | 5850 | 6 | 12 | 14000 |
| | | 4300 | 4050 | 6200 | 6 | 12 | 14000 |
| | | 4500 | 4150 | 6400 | 6 | 12 | 14000 |
| | | 4800 | 4300 | 6700 | 6 | 6 | 14000 |
| | | 5000 | 4400 | 6900 | 6 | 6 | 14000 |
| | | 5500 | 4700 | 7450 | 3 | 6 | 12500 |
| | | 6000 | 4950 | 7950 | 3 | 6 | 11500 |
| Wide view mast | G160MX | 3000 | 3500 | 5000 | 6 | 12 | 16000 |
| | | 3300 | 3650 | 5300 | 6 | 12 | 16000 |
| | | 3600 | 3800 | 5600 | 6 | 12 | 16000 |
| | | 4000 | 4000 | 6000 | 6 | 12 | 16000 |
| | | 4300 | 4200 | 6350 | 6 | 12 | 16000 |
| | | 4500 | 4300 | 6550 | 6 | 12 | 16000 |
| | | 4800 | 4450 | 6850 | 6 | 6 | 16000 |
| | | 5000 | 4550 | 7050 | 6 | 6 | 16000 |
| | | 5500 | 4850 | 7600 | 3 | 6 | 14500 |
| | | 6000 | 5100 | 8100 | 3 | 6 | 13500 |
| Wide view mast | G180MX | 3000 | 3500 | 5000 | 6 | 12 | 18000 |
| | | 3300 | 3650 | 5300 | 6 | 12 | 18000 |
| | | 3600 | 3800 | 5600 | 6 | 12 | 18000 |
| | | 4000 | 4000 | 6000 | 6 | 12 | 18000 |
| | | 4300 | 4200 | 6350 | 6 | 12 | 18000 |
| | | 4500 | 4300 | 6550 | 6 | 12 | 18000 |
| | | 4800 | 4450 | 6850 | 6 | 6 | 18000 |
| | | 5000 | 4550 | 7050 | 6 | 6 | 18000 |
| | | 5500 | 4850 | 7600 | 3 | 6 | 16500 |
| | | 6000 | 5100 | 8100 | 3 | 6 | 15500 |



Heavy IC Forklift Truck

with capacities of 14,000 to 18,000kg

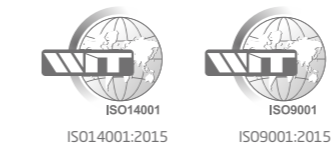


HANGCHA FORKLIFT CANADA INC.

Company address:
6-980 Rue Valois, Vaudreuil-Dorion,
QC, J7V 8P2, Canada

Toll Free: 877-319-HCFC (4232)
Landline: 450-319-HCFC

canada@hcforklift.com
www.hcforkliftcanada.com



HANGCHA GROUP CO., LTD. reserves the right to make any changes without notice concerning colors, equipment, or specifications detailed in this brochure, or to discontinue individual models. The colors of trucks, delivered may differ slightly from those in brochures.

The World of Hangcha



Heavy IC Forklift Truck

Environment/
Efficiency/
Economy

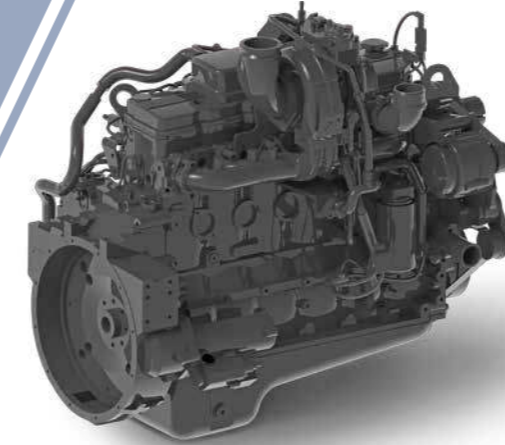


STAGE V & TIER 4F

HANGCHA with you at every stage

Efficient, reliable solutions for your demands

With Hangcha you can meet all Stage V/Tier 4f emissions standards which provides customer demands for value, innovation and performance. The technologies include common rail fuel systems, Turbocharged Inter-cooled selective catalytic reduction (SCR), diesel oxidation catalysts (DOC) and diesel particulate filters (DPF). Designed and optimised to every engine model, our forklift truck maximises efficiency and reliability.



CUMMINS B6.7

Hydraulic System

/ The main hydraulic components like the control valves, variable pump are products of Rexroth.

Transmission System

/ ZF micro controller with 3 stage power-shift is to make sure the high reliability. German Kessler heavy load drive axle, with two stage speed adjust, multi-disc wet service brake system, is fully enclosed system with maintenance free.

Steering System

/ Transverse steering axle with full hydraulic steering and sensor system is to make sure easy steering.



Cabin

/ Tilting cabin is easy to daily service, and the wide view mast, high positioned seat provide good front visibility to operator.

Standard Specification

- / Heater and air conditioner
- / Hour meter
- / Bracket of light
- / Cabin
- / Traction pin
- / Headlight
- / Horn
- / Mirror
- / Toolbox
- / Forks
- / Charge indicator
- / Combination rear light
- / Pre-heat indication
- / Wide view duplex mast
- / 4 Sec. multi-way valve
- / Hydraulic power steering
- / Rubber pedal
- / Dipstick
- / Air cleaner
- / Adjustable steering wheel
- / Tilt cylinder self-locking valve
- / Side roller
- / Mast lift speed limited valve

Options

- / 2.5-6.0m duplex mast
- / Special carriage and backrest
- / Solid tyre
- / Other dimension forks
- / Other attachment
- / Fire extinguisher
- / Suspension seat
- / Dual air cleaner or special air cleaner
- / Rear working light
- / Customer painting

