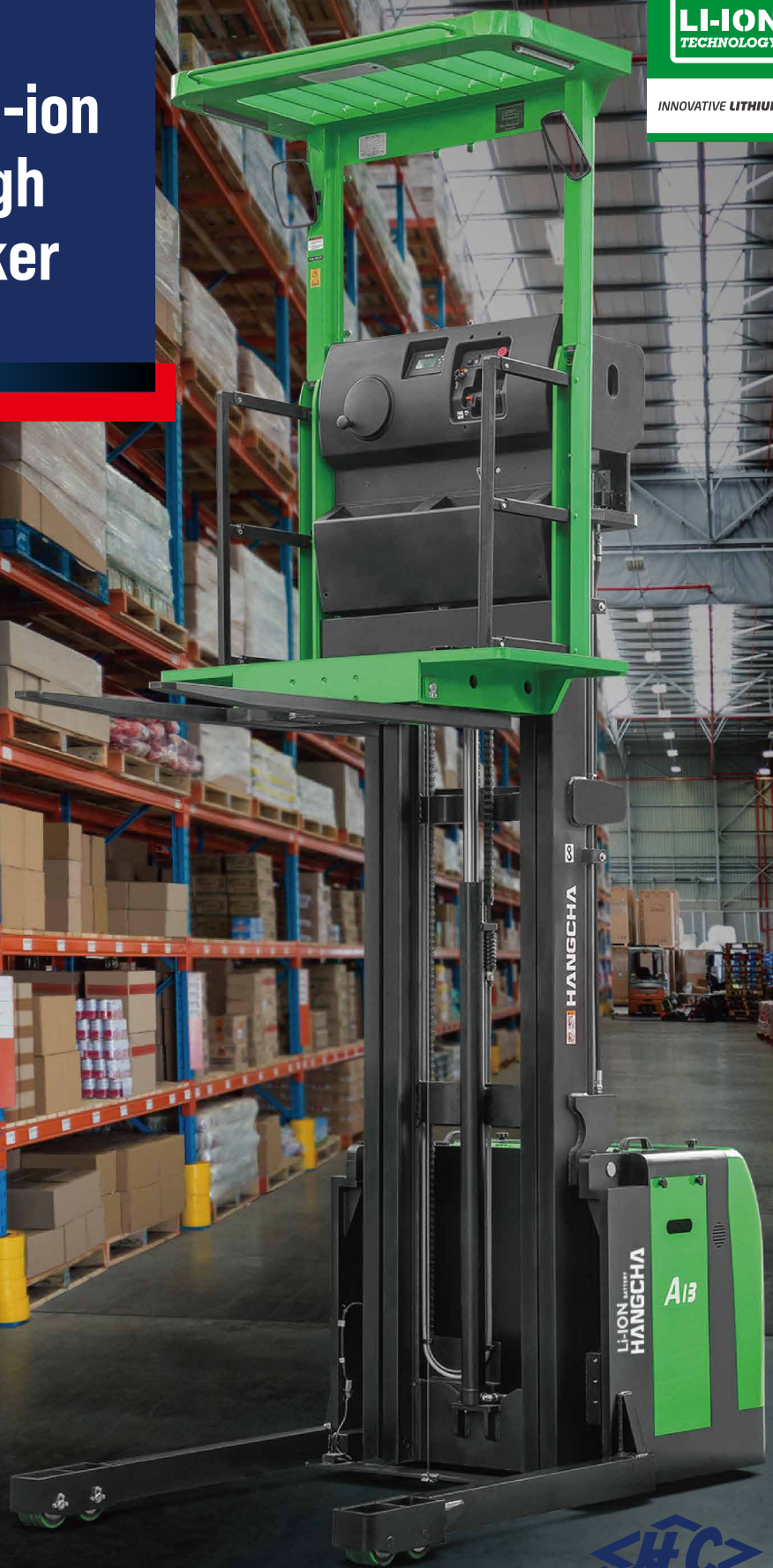


A Series Electric Lithium-ion Three-Wheel High Level Order Picker

with capacities of 3,000lbs

LI-ION
TECHNOLOGY

INNOVATIVE LITHIUM-ION



The World of Hangcha
SINCE 1956


HANGCHA
 CANADA

LET THE LITHIUM POWER TAKE OVER



HANGCHA PROVIDES UP TO A
10 YEAR OR 20000 HOUR GUARANTEE
ON THE LITHIUM-ION BATTERY PACKS.

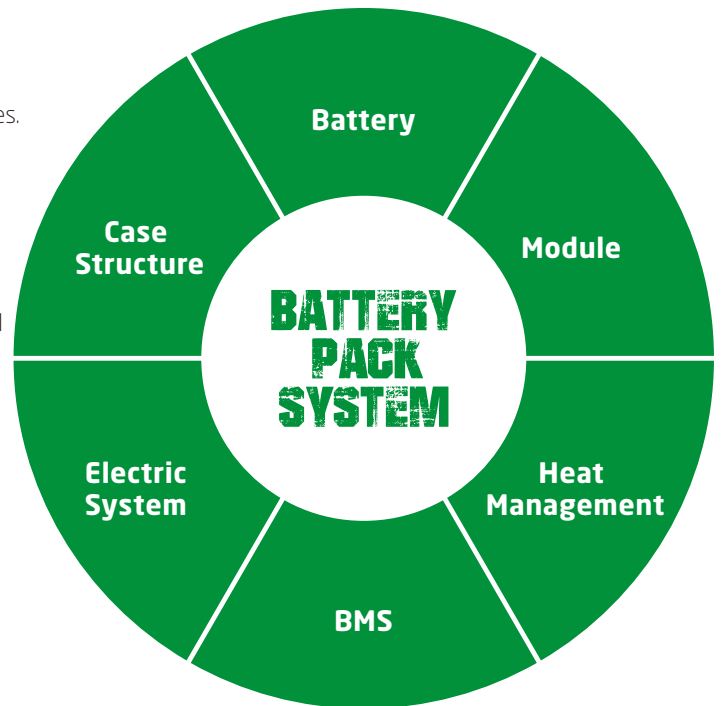


10 YEAR
WARRANTY

INNOVATIVE SOLUTIONS NEW POWER NOW

Lithium-ion technology (Lithium Iron-Phosphate), was developed jointly by HANGCHA and CATL for use in material handling equipment applications. These innovative and reliable battery cells and modules are manufactured to the highest standard by CATL exclusively for HANGCHA's forklift line.

- / **Battery Technology:** We use square lithium iron phosphate batteries. These are the same type of batteries used in new electric vehicles.
- / **Design:** The module uses a sturdy and lightweight aluminum alloy frame. It is also designed to provide excellent heat dissipation.
- / **Safe and Effective:** Charging efficiency as high as 98% and the thermal runaway temperature is at 600 °C and above.
- / **Adapted to Low Temperatures:** Comes standard with an electrical heating feature, ensuring normal operation in low temperatures.
- / **Quick Charging:** Fully charges in 2 hours.
- / **Efficient:** Can use opportunity charging to allow for continuous use in multi-shift operations.
- / **Long-Lasting:** 4000 charging cycles with a capacity retention greater than 80%.
- / **Maintenance-Free:** Lithium-ion batteries do not require manual maintenance such as watering.
- / **Green and clean:** The batteries are pollution-free, release zero emissions, and are recyclable.



RAPID CHARGING

Li-Ion
2 hours
100%

Lead-acid batteries
8-10 hours 100%

Rapid and opportunity charging ensure continuous availability of material handling equipment

The chargers allow for fast full charging or boost charging (100 % charge in 2 hours). The lithium-ion batteries are maintenance free and do not require a battery change when used in multi-shift operations. Instead, the batteries can be charged during user breaks and shift changes which allows the forklift to continuously run during multi-shift operations.

**Titan Dual Charging Guns
Charger**

36V/400Ah





A Series Electric Lithium-ion Three-Wheel High Level Order Picker

The A Series Three-Wheel High Level Order Picker is designed to meet order fulfillment needs in narrow aisle environments. This order picker has a comprehensive safety protection system, excellent ergonomics, and an advanced control system. Being reliable, comfortable, safe, and stable, all while providing excellent performance, it is the perfect choice for stock picking in a stereoscopic warehouse of 197”-366” in height.

NARROW-AISLE SOLUTIONS

High performance

- / The maximum full-load travel speed is 7.5mph. This allows for an increase in productivity.
- / The German ZF gearbox and German Schabmueller AC drive and steering motors provide performance, stability, and are reliable.
- / The AC hydraulic lifting system is highly efficient and maintenance-free.
- / The advanced CURTIS control system provides precise, smooth, and efficient control of the order picker.
- / CANBUS structure allows for the whole vehicle to communicate faster and more reliably.





长治液压
转向叶片泵
长治液压
转向叶片泵

01123678
01123678

L-I-ON HANGCHA
A13

HANGCHA

Comfort

- / As a part of the standard configuration, a height sensor is provided.
- / Shifting and lifting or lowering of the mast are buffered to enable more comfort.
- / CURTIS multi-function instruments include functions such as mode selection and wheel position. The instruments also clearly display various information about the order picker.

Safety

- / The full body harness provides protection for the operator.
- / A tilt switch sensor is provided to improve operational safety.
- / The left and right guardrails are equipped with safety switches.
- / The function of proportional speed reduction in corners is equipped as standard to ensure smooth and safe turning.
- / An emergency lowering feature is included standard. This operation can be carried out via the control platform or from the rear of the vehicle, respectively.

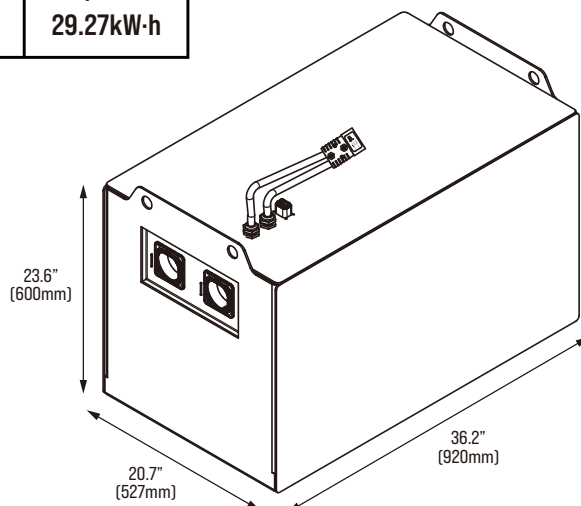
Reliability

- / The vehicle's frame is robust and reliable thanks to its high-strength steel frame structure.
- / All of the order picker's wires and cables are protected. This greatly improves the reliability of the electrical system.
- / Switches, connectors, instruments, and other key parts are all high-quality products with excellent performance and quality.

CATL Lithium Iron Phosphate Battery Packs

- / Integrated Battery Management System (BMS) continually monitors energy management and ensures reliable operation.
- / HANGCHA provides these Lithium Iron Phosphate (LiFePO₄) battery packs with up to a 10 year or 20,000 hour warranty.
- / See warranty certificate for specific warranty information on the Lithium Iron Phosphate battery packs.

Standard Battery Capacity	
Battery Capacity (V/Ah)	36V/813Ah
(kW·h)	29.27kW·h



The A Series Order Picker provides operators with an unobstructed view contributing to an increase in the operator's confidence at height.



Fully variable lift and lower speeds provide precise control.



The LORD steering gear with torque feedback is provided to enable higher operating safety and operator comfort.



With a safety factor of 10, the mast chain is equipped with a chain safety switch.



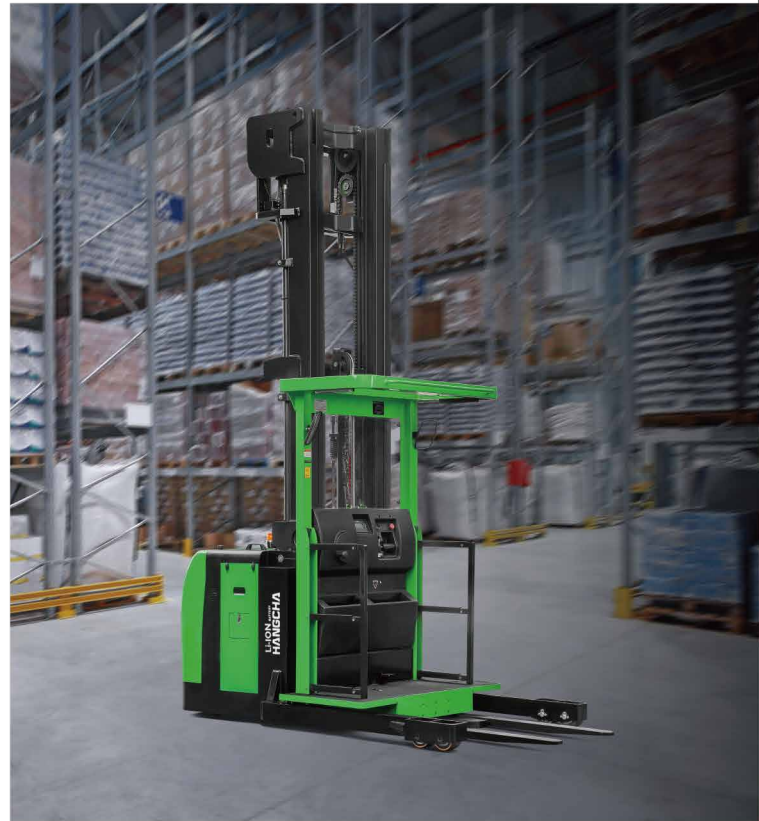
The manual-locking pallet clamp works on a wide range of pallets. It also accommodates pallet stringers ranging from 1" to 2" so operators can safely handle any pallet.

Maintenance

- / The brushless AC motor is maintenance-free. This saves the end-user time and money.
- / The integrated power display, timing, and fault self-diagnosis meter are convenient for maintenance.
- / The rear hood can be easily removed without tools. This is convenient for maintenance of the hydraulic unit, electric control, motor, and other parts.

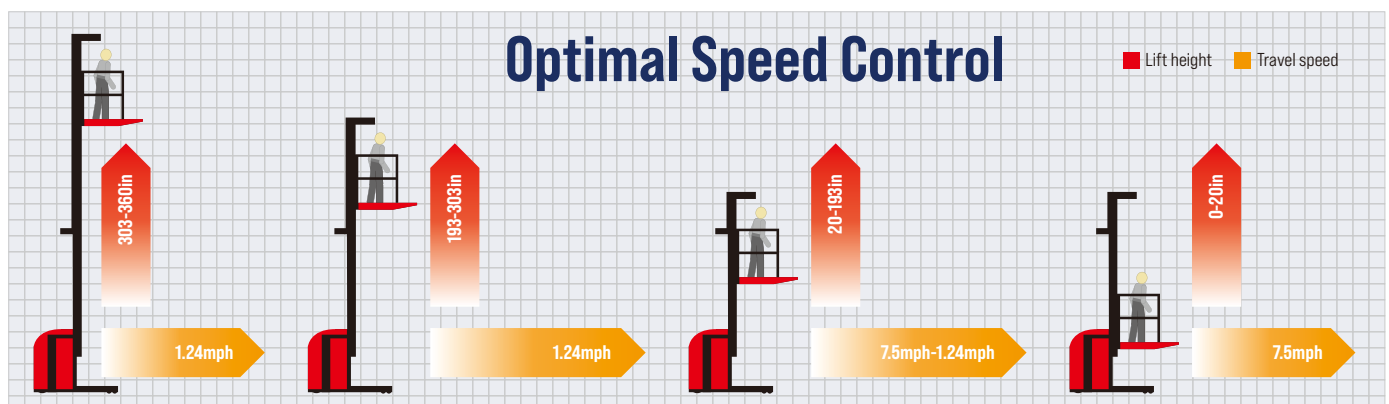
Standard Specification

- / 36V Electrical System
- / ZF Drive Unit
- / INTORQ Electromagnetic Brake
- / LORD Steering Gear
- / CURTIS AC Motor Controller
- / CURTIS Multi-Function Instrument Display
- / Chain Safety Switch
- / Guard Rail Switch
- / Reflective Mirror
- / LED Ceiling Light
- / LED Side Light
- / Emergency Cut Off Switch
- / Alarm Light
- / Height Sensor
- / Safety Pedal
- / Tilt Switch
- / Left and Right Guard Rail
- / Electrostatic Belt
- / Electromagnetic Brake
- / Full Body Harness & Energy-Absorbing Tether
- / Pallet Clamp
- / Fully Variable Lift/Lower Controls
- / Manual Emergency Lowering
- / Work Material Storage Compartments
- / Cushioned Mast Stops
- / Cushioned Mast Staging
- / Automatic Return to Center Drive Wheel upon Start-Up
- / Electronic Power Steering
- / Battery Compartment Rollers



Options

- / Side Roller
- / Blue Light
- / Head Lamp
- / Wire Mesh Screen



The A Series Order Picker is available with the advanced intellispeed system. This system smoothly coordinates travel speeds and load height. Compared to conventional speed control, intellispeed maximizes truck speed as the platform rises, capitalizing on an area of opportunity for providing faster travel between picks.



HANGCHA

A Series Electric Lithium-ion Three-Wheel High Level Order Picker Specification

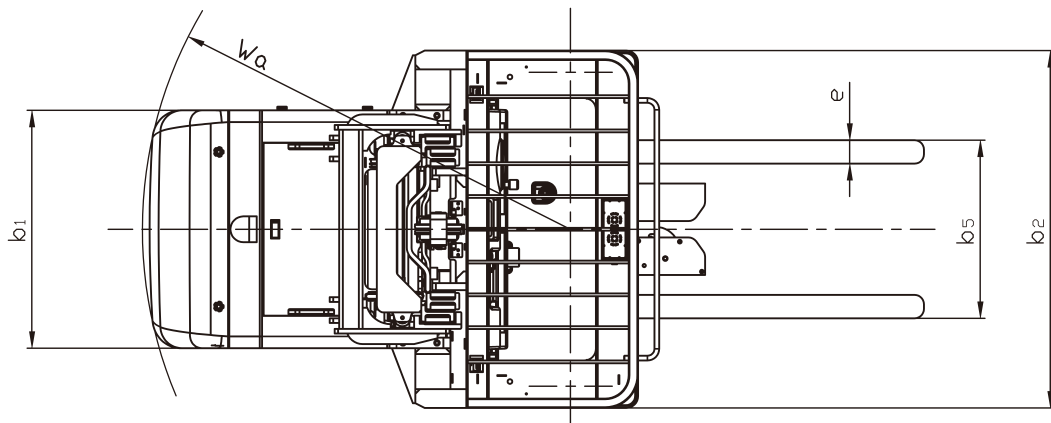
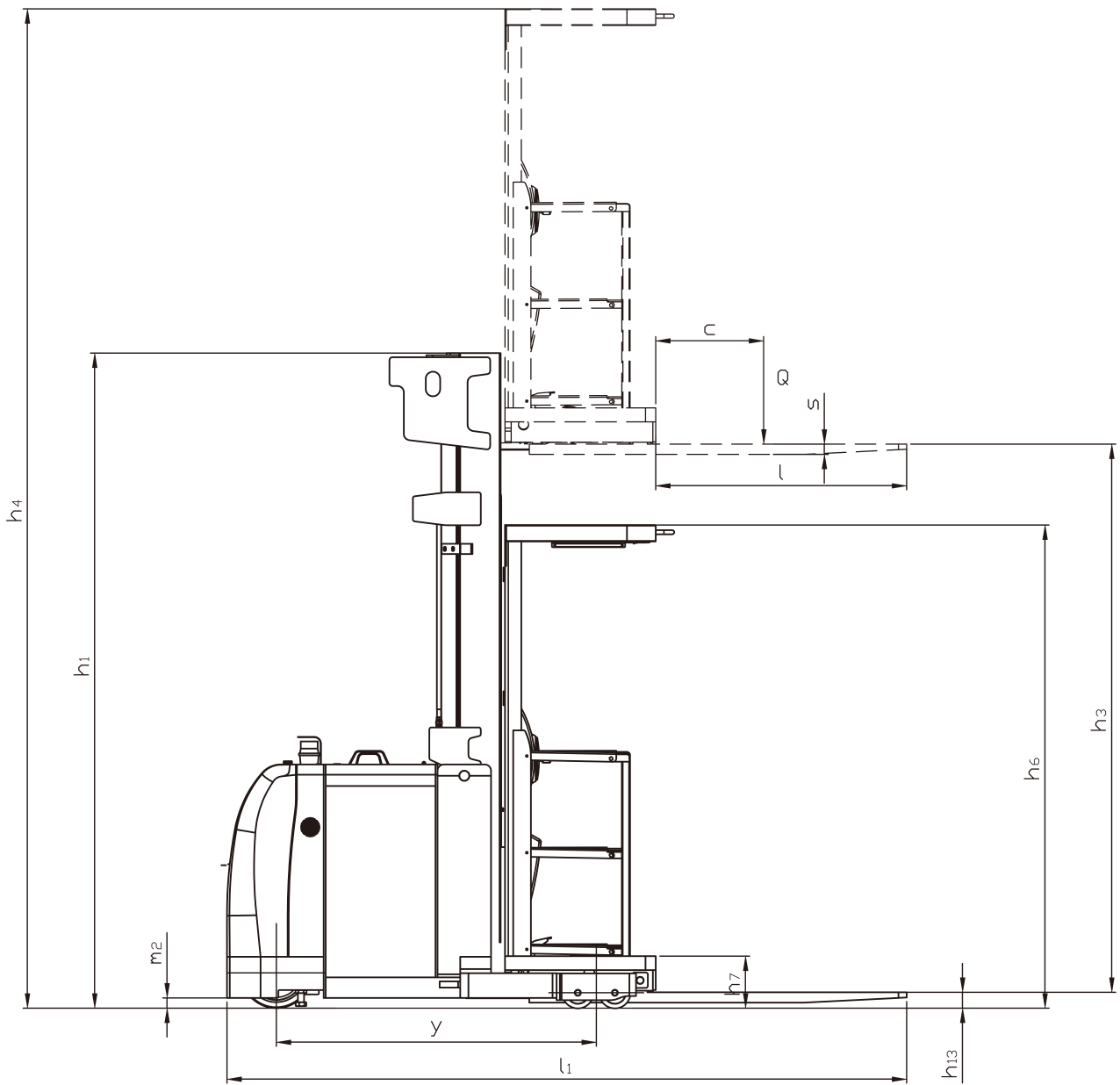
Distinguishing Marks	Manufacturer		HANGCHA GROUP CO.,LTD.
	HCFA Model		OPHT13Li
	Model		CJD13-AC2-HNAI
	Drive: electric (battery or mains),diesel,petrol,fuel gas		Electric
	Operator Type: hand,pedestrian,standing,seated,order-picker		Order Picker
	Rated Capacity/Rated Load	Q(lb/kg)	3000/1360
	Load Centre Distance	c(in/mm)	24/600
	Wheelbase	y(in/mm)	61.3/1556
Weight	Service Weight(without battery)		See table 1
Tires & Chassis	Tires: solid rubber, superelastic, pneumatic, polyurethane		Polyurethane
	Tire size, front	in/mm	Ø13.5×5.5 Ø343×140
	Tire size, rear	in/mm	Ø6×4 Ø150×100
	Wheels, number front/rear (× = driven wheels)		1×,/4
Dimensions	Height, mast lowered		See table 1
	Lift		See table 1
	Height, mast extended		See table 1
	Height of Overhead Guard (cabin)	h ₃ (in/mm)	92.3/2345
	Standing Height	h ₁ (in/mm)	10/253
	Height, lowered	h ₂ (in/mm)	3/75
	Overall Length	l ₁ (in/mm)	130.1/3305
	Overall Width		See table 1
	Fork Dimensions DIN ISO 2331	s/e/l(in/mm)	2/4/48 50/100/1220
	Width Across Forks	b ₁ (in/mm)	24-30/610-760
Performance Data	Ground Clearance, centre of wheelbase	m ₂ (in/mm)	2/50
	Turning Radius	W _a (in/mm)	71.3/1810
	Travel Speed, laden/unladen		See table 2
	Lift Speed, laden/unladen	f ₁ m mm/s	69/94.6 350/480
	Lowering Speed,laden/unladen	f ₂ m mm/s	78.8/78.8 400/400
Electric Motor	Gradeability, laden/unladen	%	5/10
	Service Brake		Electromagnetic
	Drive Motor Rating S2 60 min	hp/kw	8.6/6.4
	Lift Motor Rating at S3 15 %	hp/kw	17.2/12.8
	Battery Voltage/Nominal Capacity K5	V/Ah	36/813
Additional Data	Battery Size	in/mm	36.7×20.7×23.6 931×527×600
	Battery Weight	lb/kg	715.9/325
Additional Data	Sound Pressure Level at the Driver's Seat	dB(A)	69

Table 1

	Lift Height	Height, mast lowered	Height, mast extended	Stand Height, elevated	Service Weight (without battery)	Overall Width
	h ₃ (in/mm)	h ₁ (in/mm)	h ₄ (in/mm)	h ₂ (in/mm)	lb/kg	b ₁ /b ₂ (in/mm)
N5000	197/5000	100/2540	289/7345	206.7/5250	8053.5/3656.3	40/42 1015/1220
N6100	240/6100	114.4/2905	332.5/8445	250/6350	8307/3771.4	40/42 1015/1220
N7000	275.5/7000	126.2/3205	368/9345	285.4/7250	8529.7/3872.5	40/54 1015/1370
N8000	315/8000	139.4/3540	407.3/10345	324.8/8250	8759/3976.6	40/54 1015/1370
N9300	366/9300	156.3/3970	458.5/11645	376/9550	9056.6/4111.7	40/60 1015/1525

Table 2

Lift Height h ₃ in(mm)	Travel Speed mph(km/h)
0-20(0-500)	7.5(12)
20-193(500-4900)	7.5-1.24(12-2)
193-303(4900-7700)	1.24(2)
303-366(7700-9300)	1.24(2)



CJD13-AC2-HNA



HANGCHA FORKLIFT CANADA INC.

Company address:

6-980 Rue Valois, Vaudreuil-Dorion,
QC, J7V 8P2, Canada

Toll Free: 877-319-HCFC (4232)

Landline: 450-319-HCFC

info@hcforkliftcanada.com

www.hcforkliftcanada.com



Follow us on
Facebook



Follow us on
YouTube



Follow us on
WeChat



Download "Hangcha
Forklift" App

HANGCHA GROUP CO., LTD. reserves the right to make any changes without notice concerning colors, equipment, or specifications detailed in this brochure, or to discontinue individual models. The colors of trucks, delivered may differ slightly from those in brochures.